

## CL1608 Series

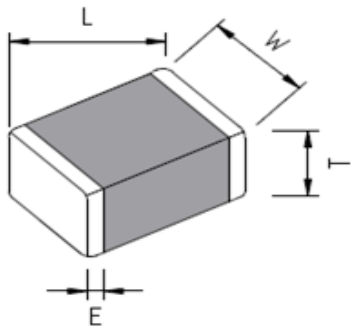
### Features :

- Made of advanced ceramics and low resistance silver conductors provides excellent Q and SRF characteristics.
- Support operating frequency up to 10GHz.
- Provide high quality factor.
- Monolithic structure for high reliability.
- Excellent solderability and high heat resistance for either flow or reflow soldering.
- Operating temperature range of -55°C to +125°C
- Storage temperature range of -40°C to +85°C

### Applications :

- RF circuit and module.
- Various automotive electronics.
- Mother board, tablet PC, laptop, desktop computer and peripheral equipment.
- Digital communication equipment.
- Various electronic equipment.

### Shapes And Dimensions : (Unit :mm)



L	W	T	E
1.6 ± 0.15	0.8 ± 0.15	0.8 ± 0.15	0.2~0.6

### Part Number Code :

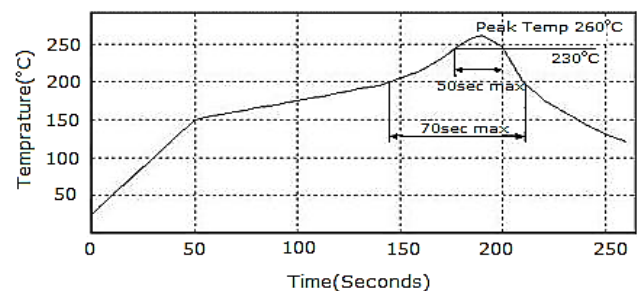
**CL 1608 1N5 K -E**

①    ②    ③    ④    ⑤

- 1 : Product Series
- 2 : Dimensions L x W
- 3 : Inductance Value
- 4 : Inductance Tolerance
- 5 : Lead-Free

### Reflow Profile :

Peak Temp : 260°C  
Max time above 230°C 50sec  
Max time above 200°C 70sec



### CL1608 Series

Part No.	Inductance (nH) Tolerance	Q Min.	Test Frequency (MHz)	SRF (GHz) Min.	DCR ( $\Omega$ ) Max.	Rated Current (mA) Max.
CL1608-1N0S	1.0 $\pm$ 0.3nH	8	100	10.00	0.05	300
CL1608-1N2S	1.2 $\pm$ 0.3nH	8	100	10.00	0.05	300
CL1608-1N5S	1.5 $\pm$ 0.3nH	8	100	6.00	0.10	300
CL1608-1N8S	1.8 $\pm$ 0.3nH	8	100	6.00	0.10	300
CL1608-2N2S	2.2 $\pm$ 0.3nH	8	100	6.00	0.10	300
CL1608-2N7S	2.7 $\pm$ 0.3nH	10	100	6.00	0.10	300
CL1608-3N3S	3.3 $\pm$ 0.3nH	10	100	6.00	0.12	300
CL1608-3N9S	3.9 $\pm$ 0.3nH	10	100	6.00	0.14	300
CL1608-4N7S	4.7 $\pm$ 0.3nH	10	100	4.00	0.16	300
CL1608-5N6S	5.6 $\pm$ 0.3nH	10	100	4.00	0.18	300
CL1608-6N8J	6.8 $\pm$ 5%	10	100	4.00	0.22	300
CL1608-8N2J	8.2 $\pm$ 5%	10	100	3.50	0.24	300
CL1608-10NJ	10 $\pm$ 5%	12	100	3.40	0.26	300
CL1608-12NJ	12 $\pm$ 5%	12	100	2.60	0.28	300
CL1608-15NJ	15 $\pm$ 5%	12	100	2.30	0.32	300
CL1608-18NJ	18 $\pm$ 5%	12	100	2.00	0.35	300
CL1608-22NJ	22 $\pm$ 5%	12	100	1.60	0.40	300
CL1608-27NJ	27 $\pm$ 5%	12	100	1.40	0.45	300
CL1608-33NJ	33 $\pm$ 5%	12	100	1.20	0.55	300
CL1608-39NJ	39 $\pm$ 5%	12	100	1.10	0.60	300
CL1608-47NJ	47 $\pm$ 5%	12	100	0.90	0.70	300
CL1608-56NJ	56 $\pm$ 5%	12	100	0.90	0.75	300
CL1608-68NJ	68 $\pm$ 5%	12	100	0.70	0.85	300
CL1608-82NJ	82 $\pm$ 5%	12	100	0.60	0.95	300
CL1608-R10J	100 $\pm$ 5%	12	100	0.60	1.00	300
CL1608-R12J	120 $\pm$ 5%	8	100	0.50	1.20	300
CL1608-R15J	150 $\pm$ 5%	8	100	0.50	1.20	300
CL1608-R18J	180 $\pm$ 5%	8	100	0.40	1.30	300
CL1608-R22J	220 $\pm$ 5%	8	100	0.40	1.50	300